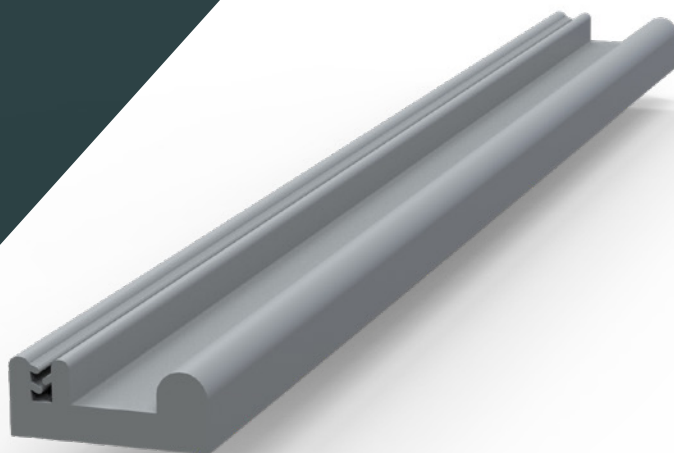


INTEGRITY PRODUCTS

# Termination Seal



Always wear appropriate PPE (personal protective equipment) which conforms to applicable work safe standards.



## TOOLS REQUIRED



### RETRACTABLE KNIFE

Cut the Termination Seal using a retractable knife.



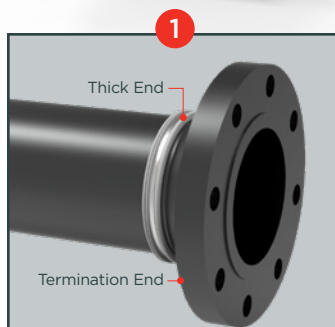
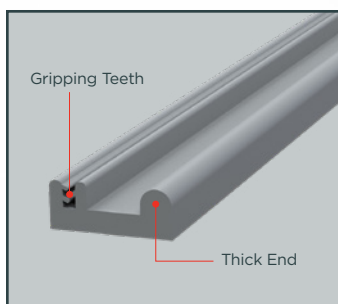
### SEALANT

Apply sealant to both sides of the Termination Seal.



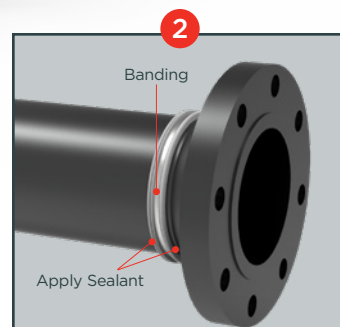
### STAINLESS STEEL BANDING

Secure the Termination Seal in place using stainless steel banding.



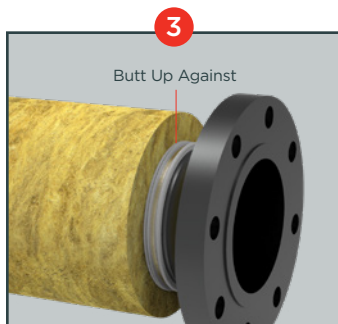
### STEP 1

Measure and cut the Termination Seal to suit the pipe circumference.  
*Please Note: place the thick end towards the termination end.*



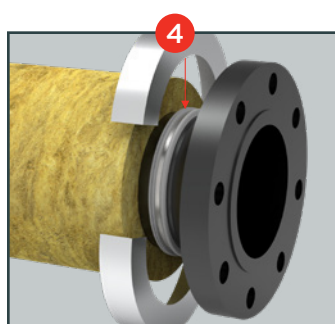
### STEP 2

Apply a bead of sealant to the base of the Termination Seal and secure into place using Stainless Steel banding and clip into place. *Optional: apply a bead of sealant on both sides of the Termination Seal.*



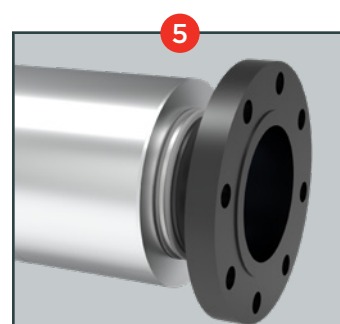
### STEP 3

Butt up insulation to the Termination Seal and install as per usual.



### STEP 4

Install prefabricated metal end caps into the gripping teeth and firmly lock end caps into place.



### STEP 5

Install metal cladding as per usual.